



CLUB STATION
K6SON

Short Skip

The Newsletter of

Sonoma County Radio Amateurs, Inc.

P.O. Box 116, Santa Rosa, CA 95402-0116 707-538-2931

<http://www.sonomacountyradioamateurs.com>

Repeaters:

English Hill: 147.315+ 88.5 / 441.375 +88.5



REPEATER STATION
W6SON

Volume 45, Number 5

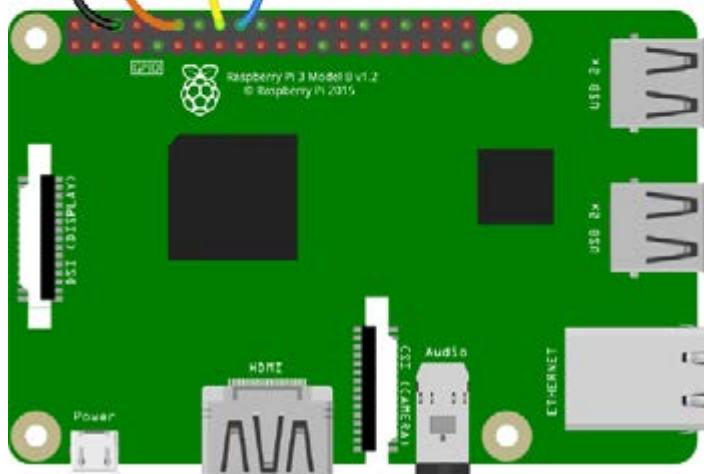
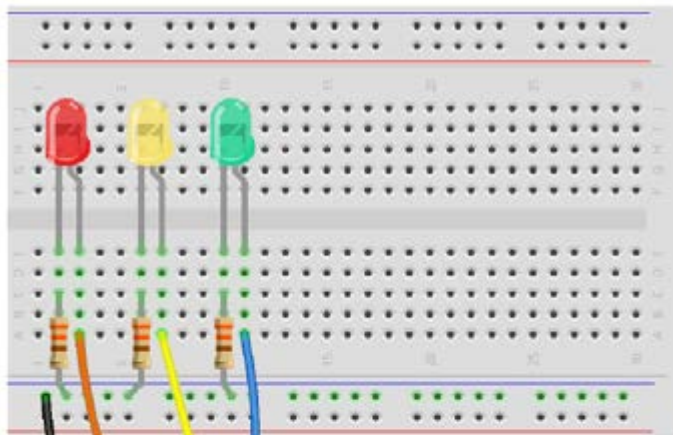
May 2020

NEW SCRA ELECTRONICS CLASSES

GROWING RADIO AMATEURS CLASSES

We are starting a new program within Sonoma County Radio Amateurs: a series of classes that will introduce you to

- Basic Electronics
- Raspberry Pi
- Arduino



We have had one member survey and one teleconference to discuss how to proceed, and have agreed that during the pandemic stay-at-home time, we will meet monthly on the third Wednesday of the month at 7 PM using Zoom. When we can meet in person, we will move to doing that.

The goal of the program is to educate members and interested others on how things electronic work, and how you can use that knowledge to enhance your amateur radio experience, whether it be through greater understanding of how our stuff works, and by building or experimenting in ways that help you grow as radio amateurs. We will work on electronics components with an introduction to programming needed to use the Raspberry Pi to manage our experiments. We will discuss everything from how you control an LED or transistor to how receivers and transmitters work after we have learned the basics.

We are re-joining the movement that we, well, originated decades ago: The Maker Movement. You might call it the homebrew club. I am calling it Growing Radio Amateurs.

The first session will be May 20 and will be an introduction to the Raspberry Pi, a microcomputer with the power to be a tool to learn about basic [Continued on page 8...](#)

FEATURED ARTICLES:

NEW SCRA ELECTRONICS CLASSES, BY BILL AA6BD [PAGE 1](#)

SCRA CODE CLASS, BY JOHN WB6FRZ [PAGE 9](#)

FIELD DAY - TIME TO EXECUTE PLAN B, BY BRIAN N6I1Y [PAGE 13](#)



PRESIDENT'S MESSAGE MAY, 2020

Greetings! The good news on the COVID-19 front is that



we've had no silent keys to date. Thank goodness and please stay safe. One casualty of the pandemic is the cancellation of our permit to hold Field Day activities at the traditional location, Youth Community Park,

due to social-distancing requirements. Instead, SCRA will promote participating as individuals at locations of your choosing during Field Day. Our Field Day Chairperson, Brian N6IYY, has a warm-up article, see [page 13](#) within this edition. Expect more next month.

For Field Day, I encourage all hams to work 2-meter FM simplex this year. Normally Field Day is the annual event where Technician-class hams are introduced to High Frequency (HF) operation by using a GOTA (Get On The Air) station that operates under third-party-traffic rules. Social distancing may preclude that feature. So what's left for the new Technician who perhaps has a single radio, a VHF hand-held transceiver (HT)? The answer is 2-meter FM simplex. I'll mention that using an HT with a 14-inch whip antenna, 1 watt of power and with elevation (half-way up a mountain) I was able to communicate a distance of 80 miles on 2 meters FM (a feat with which SOTA enthusiasts are familiar). That distance can encompass many hams. It is viable to operate in the contest aspect of Field Day on the 2-meter band. We'll expand on this concept over the next two months. In the meantime, I encourage club members of all license classes to plan to participate on 2 meters. The more of us that do, the greater the experience will be, particularly for Technicians.

Technicians have voice privileges on the 10-meter HF band, and on all voice bands above 30 MHz (including UHF on your dual-band radio). You also have Morse code privileges on 80, 40 and 15 meters, so if you have (or borrow) an HF radio and know code, you can participate on those coveted bands.

Our membership meeting will be held online this Wednesday May 6, 2020 from 7:00 pm – 8:30 pm using GoToMeeting. Do join us via computer, tablet, smart phone or plain-old telephone (the latter is audio-only). Randy AA6RH will present the multiple capabilities of the club's repeater systems. Then held online one week later will be the Board of Directors Meeting, on Wednesday May 13th,

but at 6:00 pm, not 7:00 pm. Link details will be published in the weekly blog.

Last month I presented an article on using Rabbit Ears as a 2-meter antenna. The antenna is working well and has cut my RF power needs by at least a factor of five. So with that in mind:

Live Long and Rabbit Ears.
- Fred AE6SF

SCRA Membership Meeting (Online only)

Wed, May 6, 2020 7:00 PM - 8:30 PM (PDT) (Social at 6:45 PM)

Please join the meeting from your computer, tablet or smartphone.

<https://global.gotomeeting.com/join/207365757>

You may also dial in using your telephone. (For supported devices, tap a one-touch number below to join instantly.) United States: +1 (646) 749-3122
Access Code: 207-365-757
One-touch: <tel:+16467493122,,207365757#>

New to GoToMeeting? Get the app now and be ready when your first meeting starts.

<https://global.gotomeeting.com/install/207365757>

MAY PROGRAM**Club Repeater Capabilities
by Randy AA6RH****JOIN ARRL, THE AMERICAN RADIO
RELAY LEAGUE**

The ARRL is the national organization of Amateur Radio. It represents Amateur Radio at International Conferences and before the FCC. Get the monthly QST magazine, insurance for your equipment and too many other benefits to mention here. Click <http://www.arrl.org/membership>



If you are not getting the ARRL San Francisco Section news by e-mail and you are an ARRL member, be sure to subscribe under your Members Only information or go to this Web site:

<http://www.arrl.org/Groups/view/san-francisco>

2020 Club Officers

President	Fred Seitel	AE6SF
Vice President	Johnathan Brown	AK6VB
Secretary	Bill Dornbush	AA6BD
Treasurer	Iola Beckley	KK6HRE
Director	Randy Hall	AA6RH
	Warren Pierce	K6WRP
Past President	John Felton	KE5RI

Committee Lineup/Contacts

Activities	Iola Beckley activities@sonomacountyradioamateurs.com	
Programs	Randy Hall AA6RH	aa6rh@socorad.io
Community Outreach	Darryl Paule, KI6MSP	ki6msp@arrl.net
DX/Contesting	Open	
Education	Open education@sonomacountyradioamateurs.com	
Emergency Services Liason	Pat Coyle, KG6JSL	coylaw@sonic.net
Field Day	Brian Torr, N6IYY	n6iyy@arrl.net
License Trustee	John Felton, KE5RI	jrfke5ri@aol.com
Loaner Program	Joe Fortuna, K6AWA	k6awa@yahoo.com
Website Manager	David Kraybill, KI6UGB	shortskipeditor@gmail.com
Membership	Dan Drummond, KK6VIQ	membership@sonomacountyradioamateurs.com
Merchandise	Dan Drummond, KK6VIQ	merchandise@sonomacountyradioamateurs.com
Public Service Coordinator	Randy Hall AA6RH	aa6rh@socorad.io
Refreshments	Open	
Repeater	Erin Casteel, K6ERI	erin@erincasteel.com
Roster Editor	Bill Dornbush, AA6BD	bill@dornbush.net
Volunteer Examiners	Brian Torr, N6IYY	n6iyy@arrl.net
Weekly Email Blog	Iola Beckley KK6HRE	iolabeckley104@gmail.com

Short Skip & Web Staff

Short Skip Editor	David Kraybill, KI6UGB	shortskipeditor@gmail.com
Website Manager	David Kraybill, KI6UGB	shortskipeditor@gmail.com
Web Staff	David Pearson, K6DBP	grecojava@gmail.com

SCRA E-Mail	K6SON@arrl.com
SCRA Web site	http://www.sonomacountyradioamateurs.com

Short Skip Advertising Rates

Business Cards	\$12 per month
1st Quarter Column	\$13 per month
Each Additional Quarter Column	\$4 per month
Full page (one side)	\$35 per month
Pre-printed inserts (each)	\$35 per month

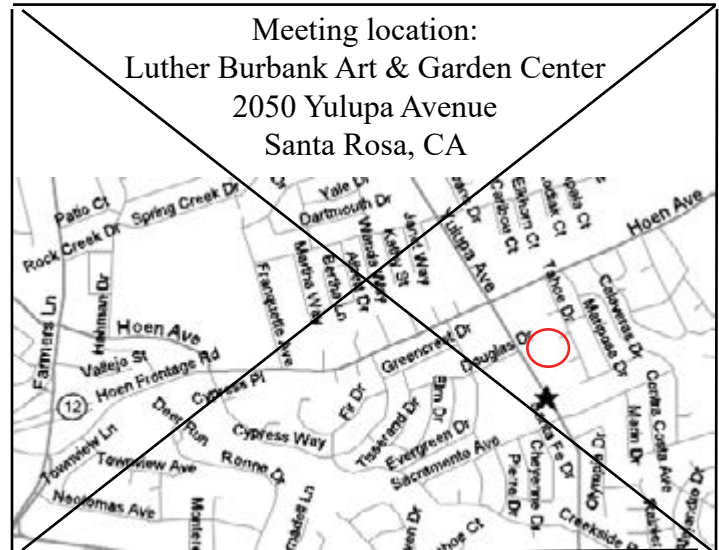
Short Skip is published monthly and copyright 2020 by the Sonoma County Radio Amateurs, Inc. Permission to reprint articles is granted provided the source is properly credited. Items printed do not necessarily represent the views of the SCRA or its editors. Letters, photos and articles sent to Short Skip are subject to editing and may or may not be printed.



SCRA Club Meetings

Online this month, [see page 2](#).

The club normally meets the first Wednesday of each month, socially at 6:30 pm, program starting at 7:00 pm. Exceptions are holidays or other big events.



Meeting location:

Luther Burbank Art & Garden Center
2050 Yulupa Avenue
Santa Rosa, CA

All are welcome!

Please join us at our next meeting. Anyone interested in Amateur Radio is eligible for membership. A membership application is included in this newsletter. For more information, contact any SCRA officer, director or member. **Hungry before the meeting? Join us for dinner! We Meet at [Round Table Pizza, 2424 Magowan Dr, Santa Rosa](#). People start showing up at 5:15 PM. No RSVP is required.**

NEW LOCATION!

Online this month.

Board of Directors Meeting

The SCRA Board of Directors will meet monthly on the Second Wednesday online. **Round Table Pizza, 2424 Magowan Dr, Santa Rosa**. All members are welcome to attend, no reservations necessary. **Arrive around 5:00pm for dinner**. Meeting starts at 6:00pm.

LOANER RADIOS AVAILABLE

The Club has a variety of radios available to members to try out and improve their skills. We have a Kenwood T590 SG HF radio; Yeasu FT 2900 2 meter mobile; Yeasu FT1D, an analog/digital 2 meter and 440mhz HT; Yeasu FT 60, a 2 meter and 440 mhz HT; and a TYT TH-F5 VHF 2 meter HT. Trying these out is an excellent way to learn some radio and test before you buy. Contact Joe, K6AWA, at k6awa@yahoo.com with your request. Joe will forward an information form to you by return email.

UPGRADE TO GENERAL OR AMATEUR EXTRA CLASS

Get more privileges and enjoyment from your Ham Radio Hobby. Mentoring assistance is available. Contact the SCRA Education Chair, at education@sonomacountyradioamateurs.com.

Tuesday Night Net

The Sonoma County Radio Amateurs' net meets Tuesday at 7:00 PM on the SCRA repeater, 147.315, positive offset, PL 88.5.

All members and guests are invited to check in. The Net includes updates on SCRA activities, and News-line, the amateur radio community news service.

Anyone wishing to work as net control should contact lola kk6hre, at K6SON@ARRL.NET for assignment. Script and logs are available on the Website at <http://sonomacountyradioamateurs.com/wp/resources/net-script/>



The Weekly 160 Meter Net

Announcing the new 160 meter net which runs from 8:45pm to 9:30pm Tuesday nights, immediately following the 10 meter net hosted by Joe K6AWA. Tune your radio frequency to 1.900 Mhz. LSB. 160 meters requires a General or above license to transmit.

Your Tuesday Night Net Line-up

2 Meter Net (Membership Net) on the SCRA repeater, 147.315, positive offset, PL 88.5

10 Meter Net - starts at 8:00pm (new time) following the regular SCRA net Tuesday nights and ends at 8:45pm. Set your dial to 28,403 MHz USB. Please note that all license classes (including technician) are welcome.

160 Meter Net - runs from 8:45pm to 9:30pm. Tune your radio frequency to 1.910 MHz LSB. 160 meters requires a General or above license to transmit.

Digital Mobile Radio Sonoma County Talk Group 31707

The club's DMR footprint continues to expand! We established a beachhead on DMR and the BrandMeister network of repeaters and hotspots by adding a talk group for Sonoma County. We are using talk group number 31707 to keep in touch on DMR and be able to discuss local news and topics of interest. The use of a talk group like 31707 allows a wider variety of Sonoma County DMR hams to be able to consistently reach each other on the air. Best of all, the 31707 talk group can be reached on hotspots as well as repeaters, meaning you can tie into your local community wherever you are!

Sonoma County DMR Net happens on Thursdays at 6:30 PM PT.

We also started a DMR net for Sonoma County (using talk group 31707) that lets us practice a little bit of traffic handling, while also allowing us to get together and talk about ways we can integrate DMR into our normal operating habits. Currently Randy AA6RH runs net control. If you have a DMR radio, make sure to program it (or ask Randy to help you program it) to include talk group 31707 on any of the area DMR repeaters (there are at least four in Sonoma County) and join us on Thursday evenings!

2020 SCHEDULE OF EVENTS

Check the [Club website](#) for details

May events have been canceled and those shown in strikethrough text.

Jun 1 - Sep 25	Beginning Morse Code Class
Jun 13	Sonoma Cnty CF Cycle for Life 2020
Jun 14	Monte Rio Vineman Triathlon
Jun 20	Terrible Two – SRCC
Jun 26-28	Field Day
Jul 10-12	Technician Class
Jul 12	Night of Nights at KPH
Jul 18	VE Testing
Jul ?	Sonoma County Fair
Aug 15	International Lighthouse Weekend
Aug 15-16	Mini DX, with NA QSO Party
Aug 29	Tour de Fox
Sep 12-13	Waves to Wine
Sep 18-20	Technician Class
Sep 26	VE Testing
Oct 3	Levi's GranFondo
Oct 17	Jamboree on the Air
Oct 17	Pacificon STEM presentation
Oct 26	North Bay Science Discovery Day
Nov 6-8	Technician Class
Nov 14	VE Testing
Dec 2	Holiday Party

Reporter Wanted for Contest Corner

Frank NQ6E has retired from Contest Corner. Short Ship is looking for a reporter to replace him in this capacity.

Qualifications for this position are mainly an interest in contesting. If you have experience in contesting that is a plus, but not completely necessary. As a reporter you could expand your current knowledge by contacting other operators and documenting their experiences. There is a lot of information available online as well. Interested persons should contact Dave KI6UGB at shortskipeditor@gmail.com.

CONTEST CORNER

Welcome to Contest Corner for May 2020.

This month is a state QSO Party bonanza. This past weekend boasted four running simultaneously, but coordinated so that operators could participate in all four. These were Indiana, Delaware, 7th Call Area (the whole region 7 area including WA, ID, MT, OR, NV, WY, UT, AZ) and New England (ME, NH, VT, MA, RI, CT). Still to come is the Arkansas QSO Party this coming weekend, May 9 & 10.

For CW operators there is the monthly [Run For the Bacon QRP Contest](#) on May 17 put on by the [The Flying Pigs QRP Club, International](#). Extra points for making a QSO with a Piggee (member).

Hear Ye! Hear Ye!

This year Contest University, normally held in person in Dayton, Ohio, will be free and online via Zoom all day May 14.

Check out the curriculum and register at <https://www.contestuniversity.com/course-outline/>.

Do not forget to check out <http://www.contestcalendar.com>

Contact shortskipeditor@gmail.com for questions/comments/suggestions regarding Contest Corner or to become a reporter.

72/73,
Dave KI6UGB

Bruce Draper, AA5B, aa5b.corral@gmail.com

Contest Corral

May 2020

Check for updates and a downloadable PDF version online at www.arrl.org/contest-calendar.

Refer to the contest websites for full rules, scoring information, operating periods or time limits, and log submission information.

	Start Date-Time	Finish Date-Time	Bands	Contest Name	Mode	Exchange	Sponsor's Website
1	1300	1 1900	3.5-28	AGCW QRP/QRP Party	CW	RST, serial, class (A or B)	agcw.org/index.php/en
2	0000	3 1600	50, 144	Araucaria World Wide VHF Contest	CW Ph	RS(T), 6-char grid square	www.avhfc.com
2	0001	3 2359	28	10-10 International Spring Contest, CW	CW	Name, mbr or "0," SPC	www.ten-ten.org
2	0300	2 0859	3.5-28	RCC Cup	CW Ph	RS(T), mbr or ITU zone	rcccup.ru
2	0600	3 2359	2.3 GHz and up	SBMS 2.3 GHz and Up Contest	CW Ph Dig	6-char Maidenhead locator	n6nb.com/sbmsrules.htm
2	0800	2 1400	All above 902	Microwave Spring Sprint	CW Ph Dig	6-char grid square	sites.google.com/site/springvhfupsprints
2	1200	3 1159	3.5-28	ARI International DX Contest	CW Ph Dig	RS(T), province or serial	www.ari.it
2	1300	3 0700	1.8-28	7th Call Area QSO Party	CW Ph	RS(T), 5-letter state/county code or SPC	7qp.org
2	1500	3 0300	1.8-28	Indiana QSO Party	CW Ph	RS(T), IN county or SPC	www.hdxc.org/inqp
2	1700	2 2100	3.5-28	FISTS Spring Slow Speed Sprint	CW	RST, SPC, name, mbr or power	fistsna.org
2	1700	3 2359	1.8-VHF	Delaware QSO Party	CW Ph	RS(T), DE county or SPC	www.fsarc.org/qsoparty
2	2000	3 2359	3.5-28	New England QSO Party	CW Ph Dig	RS(T), county+state or SPC	www.neqp.org
4	1900	4 2030	3.5	RSGB 80-Meter Club Championship, SSB	Ph	RS, serial	www.rsgbcc.org/hf
4	2300	5 0300	All, no WARC	MIE 33 Contest	CW Ph	RS(T), age, "ME" or "MEJ"	www.ztv.ne.jp/isoda/33
5	0100	5 0300	3.5-28	ARS Spartan Sprint	CW	RST, SPC, power	arsqrp.blogspot.com
7	1700	7 2100	28	NRAU 10-Meter Activity Contest	CW Ph Dig	RS(T), 6-char grid square	www.nrau.net
7	1900	7 2100	1.8-50	SKCC Sprint Europe	CW	RST, SPC, name, mbr or power	www.skccgroup.com
9	1200	10 0800	50,70,144, 432,1296	SARL VHF/UHF Digital Contest	Dig	RST, 6-char grid locator	www.sarl.org.za
9	1200	10 1159	1.8-28	CQ-M International DX Contest	CW Ph	RS(T), serial	cqm.srr.ru/en-rules
9	1200	10 1200	3.5-28	VOLTA WW RTTY Contest	Dig	RST, serial, CQ zone	www.contestvolta.com
9	1200	10 2359	1.8-50	SKCC Weekend Sprintathon	CW	RST, SPC, name, mbr or "none"	www.skccgroup.com
9	1400	10 0200	3.5-28, 144	Arkansas QSO Party	CW Ph	RS(T), county or SPC	www.arkqp.com
9	1700	9 2100	3.5-28	FISTS Spring Unlimited Sprint	CW	RST, SPC, name, mbr or power	fistsna.org
9	2300	10 0300	50	50 MHz Spring Sprint	CW Ph Dig	4-char grid square	sites.google.com/site/springvhfupsprints
10	1000	10 1400	7	WAB 7 MHz Phone/CW	CW Ph	RS(T), serial, WAB square or country	wab.intermip.net
11	0000	11 0200	1.8-28	4 States QRP Group Second Sunday Sprint	CW Ph	RS(T), SPC, mbr or power	www.4sqrp.com
13	1900	13 2030	3.5	RSGB 80-Meter Club Championship, Data	Dig	RST, serial	www.rsgbcc.org/hf
16	0600	16 2100	1.8-28	UN DX Contest	CW Ph	RS(T), District code or serial	undxc.kz
16	0800	17 1100	3.5	NZART Sangster Shield Contest	CW	RST, serial, ZL Branch number (if ZL)	www.nzart.org.nz/activities
16	0900	18 1700	3.5-28	Portuguese Navy Day Contest	CW Ph Dig	RS(T), mbr or serial	www.nra.pt
16	1200	17 1200	1.8-28	His Majesty King of Spain Contest, CW	CW	RST, EA province or serial	concursos.ure.es/en
16	1200	17 1200	3.5-28	Aegean RTTY Contest	Dig	RST, serial	www.aegeandxgroup.gr
16	1600	16 2159	1.8-50	Feld Hell Sprint	Dig	RST, mbr, SPC, grid	sites.google.com/site/feldhellclub
17	1900	17 2359	1.8-28	Run for the Bacon QRP Contest	CW	RST, SPC, mbr or power	qrpcontest.com/pigrun
18	1900	18 2030	3.5	RSGB FT4 Contest Series	Dig	4-char grid square	www.rsgbcc.org/hf
21	0030	21 0230	3.5-14	NAQCC CW Sprint	CW	RST, SPC, mbr or power	naqcc.info
21	1600	21 2200	3.5, 7	QRP Minimal Art Session	CW	RST, class, number of components	qrpcf.de
23	2100	24 0200	3.5	Baltic Contest	CW Ph	RS(T), serial	www.lrsf.lt/en
25	0000	25 0100	1.8-28	QRP ARCI Hootowl Sprint	CW	RST, SPC, mbr or power	qrparci.org/contests
25	1300	26 0400	1.8-28	QCX Challenge	CW	RST, name, SPC, rig	qrp-labs.com/party.html
27	0000	27 0200	1.8-28	SKCC Sprint	CW	RST, SPC, name, mbr or power	www.skccgroup.com
28	1900	28 2030	3.5	RSGB 80-Meter Club Championship, CW	CW	RST, serial	www.rsgbcc.org/hf
29	0000	31 2359	1.8-50	PODXS 070 Club 3-Day Weekend Contest	Dig	Name, RST, SPC	www.podxs070.com
30	0000	31 2359	1.8-28	CQ WW WPX Contest, CW	CW	RST, serial	www.cqwp.com

All dates refer to UTC and may be different from calendar dates in North America. Contests are not conducted on the 60-, 30-, 17-, or 12-meter bands. Mbr = Membership number. Serial = Sequential number of the contact. SPC = State, Province, DXCC Entity. XE = Mexican state. Listings in blue indicate contests sponsored by ARRL or NCJ. The latest time to make a valid contest QSO is the minute listed in the "Finish Time" column. *Data for Contest Corral is maintained on the WA7BNM Contest Calendar at www.contestcalendar.com and is extracted for publication in QST 2 months prior to the month of the contest. ARRL gratefully acknowledges the support of Bruce Horn, WA7BNM, in providing this service.*

SCRA Merchandise QST

The limited edition SCRA 80th Anniversary Lapel Pins are available at \$5 each. These stylish 1.25" lapel pins feature our full color 80th Anniversary logo with an epoxy dome finish and a military/butterfly clutch back to secure the pin in place.

They not only look good on a lapel, but they'll give your hats, sweaters, jackets and tote bags that SCRA touch.



The SCRA/Halls webstore is on-the-air! Just tune your internet device to the website hosted by Halls Executive Gifts and Awards (AKA Frederick Engraving) at <http://scra.hallsapparel.com>.

This time, when you order a shirt, in the style, color and size of your choice, it will be available for pickup within a couple of weeks. And now you also have the option to either pick it up from Halls yourself or pick it up at a future membership meeting.

Most members have found that the shirt sizes fit as expected, but if you tend to run in between sizes, we recommend the larger size.



Please email any questions and comments to merchandise@sonomacountyradioamateurs.com.

SCRA Membership QST

The SCRA membership stands at 235.



Welcome new and returning members:

- Christopher Brooks KN6EHV (T) Cotati
- David Tran NM2B (E) Santa Rosa
- Ellen DeProto KN6HML (T) Santa Rosa
- Gabe Kearney KI6TFB (T) Petaluma
- Jason Lee KN6HMQ (T) Santa Rosa
- John Martire Jr. KJ6VII (T) Calpella
- Jovan Vanderhorst KK6ZIJ (T) Santa Rosa
- Martin Kilgore KJ6BQM (G) Santa Rosa
- Ron Bracklow W6BR (E) Windsor
- Tony Goodwin Associate Cazadero



New call signs:

- none reported



License Class Upgrades:

- none reported

If you have recently achieved a new license class, obtained a new call sign, or changed your address, email or phone, please email membership@sonomacountyradioamateurs.com with your update. And don't forget to report your address change to the FCC!

Membership Count by License Class	
License Class	Count
Advanced	2
Amateur Extra	67
General	61
Technician	95

We have **10** Associate members.

161 SCRA members are ARRL members.



KUDOS

Hammy: Our statue for ham of the month.

David N5PSM was presented Hammy by Darryl KI6MSP for his help with Darryl's antenna.

- Charlie KZ6T received kudos from John WB6FRZ for hosting the video conferencing
- Howard K6SID received kudos from Rick WW6RC on using his IC-7300 in digital mode
- David N5PSM received kudos from Kenn N4NTJ for his help with a new cross band radio.

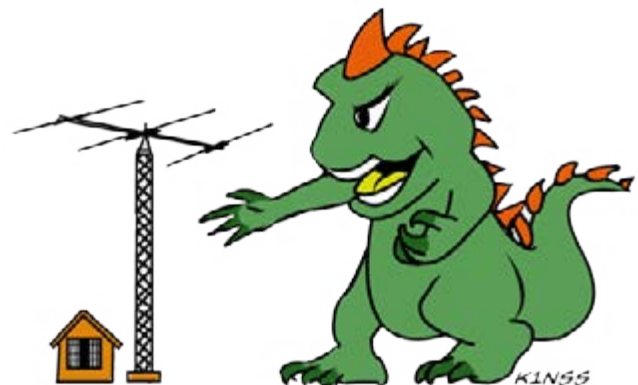
SCRA HAM OF THE MONTH RECIPIENTS			
Year	Month	Name	Call Sign
2020	April	David	N5PSM
2020	March	Bill	AA6BD
2020	Feb	—	—
2020	Jan	Cornell	W6HMN
2019	Dec	—	—
2019	November	Doug	KF6LMB
2019	Aug/Sep/Oct	Scott	KJ6QIQ
2019	June/July	Carol	KK6OLL
2019	May	Randy	AA6RII
2019	Apr	John	WB6FRZ
2019	Mar	Frin	K6FRI
2019	Feb	Fred	AE6SF
2019	Jan	Dave	KI6UGB
2018	Dec	—	—
2018	Nov	Iola	KK6HRE
2018	Oct	Dan	KK6VIQ

On the Air Magazine

(<http://www.arrl.org/read-on-the-air>)

On the Air magazine is the newest ARRL member benefit to help new licensees and beginner-to-intermediate radio communicators navigate the world of amateur radio. Delivered six times a year, the magazine will present articles, how-to's, and tips for selecting equipment, building projects, getting involved in emergency communication as well as spotlighting the experiences of people using radio to serve their communities, and those using it for enjoyment.

Whether you just passed your Technician exam or have been licensed for years but never got around to making contacts or starting a project, On the Air can help you take your interest in radio to the next level with clear, useful information.



New SCRA Class continued from page 1...

electronics, and can grow to enrich your radio experience through everything from WSPR to APRS to Winlink to portable station computer.

We will start small with the basics and grow to other subjects as our attendees want to explore making. This will be an attendee driven experience.

If you would like to join us, either as a student or teacher, contact Bill Dornbush AA6BD at bill@dornbush.net.

--Bill Dornbush AA6BD



SCRA Code Class

(●●● -●-● ●-● ●- -●-● -●-● ● -●-● ●-●● ●- ●●● ●●●)

By John Breckenridge, WB6FRZ



Radio's rugged ranks in the Thirties
 Enlisted chaps like old G5BD
 Who never sat around wringing his hands
 About contributions and countries lists
 Or griped about slow factory service
 On a chrome-trimmed Superduper-IV.
 OM G5BD, with only one good arm
 Couldn't wring his hands anyway
 And had bigger problems to lick
 Like no a.c. mains and a 10-watt limit.
 Other things he had a-plenty
 Were guts and that old ham spirit
 So G5BD worked DX—and had a ball.
 (Photo via W2GP)

Do you hold a Technician class license and want to use skywave on 80, 40, and 15 meters? You DO have privileges on those bands! Do you hold a General class license and want to take advantage of the lower frequency portions of your HF bands? Want to try making some HF code contacts hiking in the mountains?

the repeater during the week!

Contact John Breckenridge, WB6FRZ, for more information:

wb6frz@arrl.net
 707-217-1017

For those of you who want to make use of the privileges the FCC has already granted you, come learn code on Monday evenings beginning June 3rd! This class is focused on beginners but if you know some code already then come join in on the fun anyway!

The class meets from 6:30 until 8PM on Mondays from June 1st through September 28th at a location to be determined.

You will learn to send and receive code and how to make radio contacts using code. There will be homework but you knew that was the case anyway, didn't you? It doesn't matter, we have a lot of fun in class and we might even have a code practice net over



Sonoma County Radio Amateurs Membership Meeting Minutes for April 1, 2020

Call to order: Fred Seitel AE6SF called the meeting to order at 7:03 pm.

The president, Fred AE6SF, reviewed the protocol to follow during the meeting, and Bill AA6BD determined that a quorum is present.

Board members present: Fred Seitel AE6SF, Johnathan Brown AK6VB, Iola Beckley KK6HRE, Bill Dornbush AA6BD, John Felton KE5RI.

Absent: Randy Hall AA6RH, Warren Pierce K6WRP.
New members: KN6EHV Christopher

Guests: none

NET CONTROL: The following members are the net control stations for:

April 7 – David N5PSM

April 14 – Darryl KI6MSP

April 21 – Mike AD6YB

April 28 – David N6PSM

May 5 – Dan KK6VIQ

Announcements Upgrades Lies and Brags: See Short Skip for upgrades. Darryl KI6MSP: his antenna is beyond awesome and he is getting VA NC FL Midwest, Northwest, thanks to David N5PSM; Jim WA6QBU moved to Santa Fe NM at 7000 ft, and worked some 10M net participants on Tuesday.

Hammy: Our statue for ham of the month. Darryl KI6MSP would like to give Hammy to David N5PSM for help with his antenna; John WB6FRZ thanked Charlie KZ6T for hosting this video conferencing; Rick WW6RC thanked Howard K6SID on using his IC-7300 in digital mode; Kenn N4NTJ thanked David N5PSM with his help with a new cross band radio.

Approval of minutes: John KE5RI moved that the minutes as published in Short Skip be approved, Darryl KI6MSP

seconded, and the motion passed on voice vote.

REPORTS

Treasurer report: Iola KK6HRE reported the club financial status.

Growing Radio Amateurs: Bill AA6BD asked for his survey to be responded to. John asked for remote control of a station.

Field Day: Brian N6IYY is hopeful we will hold Field Day, and there is a planning session this Saturday. Let Brian know if you want to be added to the video call.

Merchandise: Dan KK6VIQ said merchandise is on hold at Halls.

Membership: Dan KK6VIQ said we are at 226 members.

VE testing: Brian N6IYY the April session is cancelled, May is in jeopardy. Please send email to Brian if interested. He is hoping July will be held. Andru KJ6YFD asked about remote testing sessions. Brian responded about the Anchorage (Amateur Radio Club) approach and the need for a proctor and that ARRL is working to get FCC to change rules. Darryl KI6MSP noted that KM6QFQ recently took an upgrade exam through Anchorage.

Program: Antenna Performance and Testing by John WB6FRZ. 30-min Frank Rutter K3AW video from ARRL in Aug 1981. Google: “Frank Rutter antenna” to find the video online. John WB6FRZ noted that the audio tonight was not as good as on the original recording and encouraged us to listen to it.

OLD BUSINESS - none

NEW BUSINESS - none

Darryl KI6MSP moved that the meeting be adjourned. Johnathan AK6VB seconded the motion, and the motion was approved by voice vote. The meeting adjourned at 8:09 PM.

Respectfully Submitted,
Bill Dornbush AA6BD

SCRA BOARD OF DIRECTORS MEETING MINUTES

Date: April, 2020

The meeting was called to order by Fred Seitel AE6SF at 6:03 pm. A quorum of directors was present. The meeting was held via video conference.

Board members present: Fred Seitel AE6SF, Johnathan Brown AK6VB, Bill Dornbush AA6BD, Warren Pierce K6WRP

Absent: Iola Beckley KK6HRE, Randy Hall AA6RH, John Felton KE5RI

Others: Darryl Paule KI6MSP, Philip Humes KF6GNH, Charlie Sikes KZ6T, Brian Torr N6IY, Rick Cowperthwaite WW6RC

Approval of previous meeting minutes: Fred AE6SF moved that the minutes as published in Short Skip be approved, Johnathan AK6VB seconded the motion, and the motion carried on voice vote.

OFFICER AND DIRECTOR REPORTS

Treasurer report: Iola KK6HRE was absent
Secretary report – Bill AA6BD reported that he is still missing one inventory report.

COMMITTEE REPORTS

Activities – Iola KK6HRE absent - Darryl KI6MSP noted that the Hornet visit is still on schedule.

Community Outreach – Darryl KI6MSP – no report

Growing Radio Amateurs – Bill AA6BD noted that 10 surveys had been received and all but one indicated an interest in training, split evenly among basic electronics, Arduino, and Raspberry Pi. He wants to move forward to develop the training and the board agreed.

Education & Mentoring – Fred AE6SF - classes are on hold, and may move online.

Emergency Service – Pat KG6JSL absent

Field Day – Brian N6IY held the second planning meeting last Saturday, and noted the planning is moving ahead for now. We will do something for Field Day even if some changes are needed.

Volunteer Examiners – Brian N6IY – has received queries about remote testing. FCC rules don't need to be changed and he is investigating, and waiting for news from ARRL.

Membership – Dan KK6VIQ – we have 232 members, with a burst last week. He noted that Jason KN6HMQ and Ellen KN6HML asked about using IRLP and asked for mentor assistance.

Merchandise – Dan KK6VIQ – we are getting badge orders, and he will prepay another set of 25 badges.

Newsletter – Dave KI6UGB – absent

Website – Dave KI6UGB – absent

Programs – Randy AA6RH – absent – Fred AE6SF said program for May should be on our Repeaters

Public Service – Randy AA6RH - absent

Radio Loanout program – Joe K6AWA - absent

Refreshments – Fred AE6SF – on hold until we meet in person

Repeater – Erin K6ERI – absent

OLD BUSINESS

None.

NEW BUSINESS

SCRA QSO Party – Darryl KI6MSP suggested a club QSO party and is willing to manage it. John WB6FRZ asked what bands would be used. Darryl was thinking 20 and 40. Fred AE6SF asked how a QSO Party works. Darryl suggests we advertise it. Philip KF6GNH asked how people would participate. Net vs QSO party was discussed.

Continued on page 12...



BoD Minutes continued from page 11...

Brian N6IYY suggested Darryl investigate Cal QSO Party rules.

Bill AA6BD suggested a club focused party and perhaps FM on 2M, 6M, and 10M. We agreed that Darryl should put together a proposal with our input.

Dan KK6VIQ wanted to talk about attendance reporting. He has a database of attendees at meetings and events. Bill AA6BD wants to report total numbers in minutes. Fred AE6SF felt that information on those who are active in the club would be good for things like nominating future directors and chairs. Dan will attach the information to the weekly membership report.

Charlie KZ6T asked if the BOD should get a subscription to GoToMeeting or Zoom. He is happy to host. Fred AE6SF said he would prefer to use Charlie as he is available and Fred will get a subscription if needed. Charlie suggested that we might consider ongoing online meetings.

The meeting ended at 6:50 pm when Bill AA6BD moved that we adjourn and Johnathan AK6VB seconded, and the motion was approved by voice vote.

Respectfully Submitted,
Bill Dornbush AA6BD

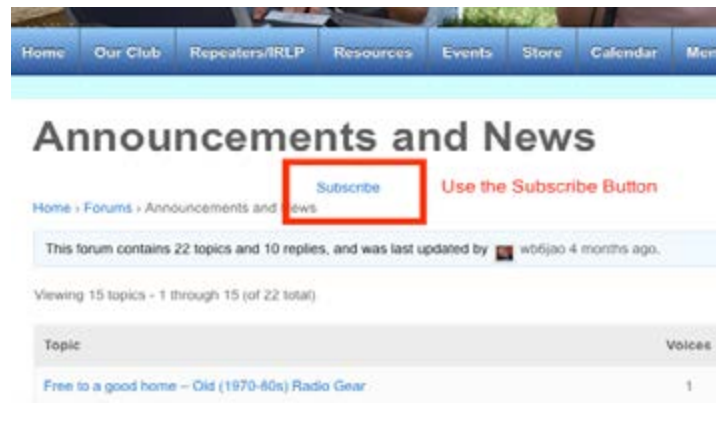


SCRA Website Forum

So how many of you know that the SCRA website has a forum page? Its there for all members to use. There is a Section for Activities, Announcements and News, Public Service, and Technical Issues. To visit the site,

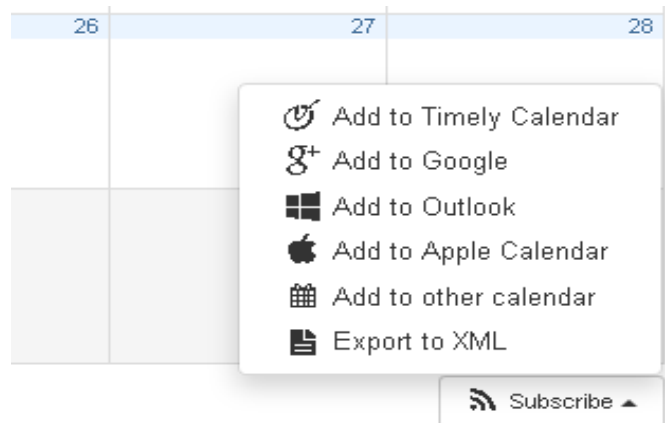
- Navigate to the SCRA website,
- Log in as a member
- Click on Member Area, then [Forums](#)

While you are on the individual Forum pages, make sure to click on SUBSCRIBE. This will send you an email when a new question gets posted. Don't worry about your inbox getting flooded with junk emails. Only valid members can post to the site.



How to Subscribe to the SCRA Calendar

Subscribe to the SCRA calendar and automatically import event dates into your electronic calendar(s). Go to the calendar page on the SCRA website and click the Subscribe button in the corner. Select the type of calendar you want to subscribe to. You will be taken to your sign-in page to finish adding the subscription.



Field Day – Time to Execute Plan B

Field Day is always the fourth full weekend in June. This year, that is the weekend of June 27 and 28. ARRL Contest Manager Paul Bourque, N1SFE stated, “Field Day isn’t about doing things the same way year after year. Use this year to develop and employ a new approach that is in line with the current circumstances.”

Plan A for SCRA’s Field Day 2020 was to be similar to what we did in 2019. We would be operating as a Class A station (Club or non-Club Portable, more the three people). We would have four HF transmitters (SSB, CW, Digital, and GOTA) and a VHF/Satellite station. We would be working under emergency power. At least one station would be operating from solar power. We would operate using the both SCRA call signs, K6SON and W6SON. We would have an Educational Activity on Saturday afternoon and dinner in the early evening. All of this was to take place at Youth Community Park, the same park we’ve used for Field Day since 2008.

But on April 29, I received an e-mail that our permit for having Field Day 2020 at Youth Community Park, along with all other City of Santa Rosa park permits for May and June, was cancelled due to restrictions caused by COVID-19.

COVID-19 has given us lemons, so now it’s time to make lemonade and execute Plan B.

But what exactly is Plan B?

A small group of us have discussed this via e-mail and the general consensus is that we should encourage as many SCRA members as possible to operate from their homes that weekend. Even if you can only get on 2m FM, there should be opportunities to make some simplex contacts (use of repeaters are not allowed).

If you operate from your home using commercial power for your transmitter and receiver, you would be a Class D station. One drawback of being a Class D station is that you can only count contacts made with non-Class D stations (i.e. Class A, B, C, E, or F).

If you operate from your home using emergency power for your transmitter and receiver, you would be a Class E station. Class E stations can count contacts with all other Field Day stations. If you have a computer used solely for logging, it does not have to run off of emergency power. But if you have a computer that generates or demodulates the

transmitted signal (such as for PSK-31 or RTTY), it does need to run off of emergency power.

If you operate at a location that is not a regular station location (such as a summer cabin) and operate under emergency power for your transmitter and receiver, you would be a Class B station. Class B stations can count contacts with all other Field Day stations.

Please give consideration to operating Field Day this year as a Class D, E, or B station, whichever you can manage.

And please do submit your log to the ARRL. The ARRL recognizes that there will be a lot more Class D and E stations compared to years past, and many of the individuals at these stations would normally participate as part of their club’s Class A stations. To help maintain that club connection, the ARRL will include club names for all participating stations in the published results, so the efforts of a club’s members can be acknowledged.

The ARRL will not, however, publish an aggregate club score. However, I would encourage club members to use computer logging using the N3FJP *ARRL Field Day Contest Log* program and send me your database file. I will compile the aggregate SCRA club score. If other local clubs do likewise, we can perhaps spark some friendly competition.

We will be discussing more about these plans at our next Field Day Planning meeting on Saturday, May 16 from 10am to 11:30am. This will be an on-line meeting. If you would like an invitation to this meeting and are not already on the Field Day Committee distribution list, please send me an e-mail and I will add you to the list.

If you can attend our next planning meeting on Saturday, May 16 at 10am, wonderful. If you can’t attend, please send me an e-mail with any suggestions you may have.

Let’s make sure SCRA puts together a great Field Day 2020 effort!

Brian Torr, N6IIY
 SCRA Field Day Chairman
 Tel: (707) 575-5871 (home)
 (707) 953-0377 (mobile)

n6iiy@arrl.net



Ooh, ooh, I have a Question!

From the NEW 2019 -2023 General Class Question Pool:

G1A05 (A) [97.301(d)]

Which of the following frequencies is in the General class portion of the 40-meter band (in ITU Region 2)?

- A. 7.250 MHz
- B. 7.500 MHz
- C. 40.200 MHz
- D. 40.500 MHz

And What About This?

From the Extra Class Question Pool:

E1A02 (D) [97.301, 97.305]

When using a transceiver that displays the carrier frequency of phone signals, which of the following displayed frequencies represents the lowest frequency at which a properly adjusted LSB emission will be totally within the band?

- A. The exact lower band edge
- B. 300 Hz above the lower band edge
- C. 1 kHz above the lower band edge
- D. 3 kHz above the lower band edge

[New Amateur Extra Question Pool Released](#)

01/27/2020 (<http://arrl.org>)

The new Amateur Extra-class license examination question pool, effective from July 1, 2020, through June 30, 2024, has been released and is available at the [National Conference of Volunteer Coordinators \(NCVEC\) website](#).

The [2020 – 2024 Extra-class pool](#) incorporates significant changes compared to the current 2016 – 2020 question pool, which expires on June 30. The number of questions in the pool was reduced from 712 to 622. The result was 239 modified questions, 49 new questions, and 139 questions removed due to changes in what was felt to be an abundance of outdated questions, while areas of new technology and subjects were added.

In addition, an effort was made to balance the difficulty level, removing or replacing some questions deemed too easy or too difficult compared to the rest of the pool. The 2020 pool has 10 diagrams, which have been renumbered because the new question pool has two fewer than the 2016 question pool.

Mentors

Having a problem with your equipment? Can't get the SWR down or your radio won't tune up? Notice some smoke escaping from your transceiver? You may need some help but where to go for this help? You could come to the club meetings and talk to people to see if they can help. You're bound to find someone to help you.

Help can also be found at the SCRA web site (sonomacountyradioamateurs.com). Just log in and click on the Member Area and then click on Mentors. Here you will find a list of hams that are willing to help out so you can your problem solved and get back on the air.

[SCRA Education Chair](#)



Sonoma County Radio Amateurs, Inc.
PO Box 116, Santa Rosa, CA 95402

(Please print & fill out the form and mail it in with your check payable to SCRA.)
 (Please check all that apply)

Date: _____ New Member: Renewal:
 1) Name: _____ Call Sign: _____ License Class: _____
 Address: _____ City: _____ Zip: _____
 Cell Phone: _____ Home Phone: _____
 Email: _____ Show contact info in Roster:
 ARRL Member:

SCRA Dues: The renewal date for SCRA dues is January 1st. Dues are \$20/year for individual, \$30/year for families, and \$15/year for youth (under 18).

*** Prorated Dues for New Members Only:** Reduced dues after the 1st quarter.
 2nd Quarter April–June: \$5.00 off — 3rd Quarter July–September: \$10.00 off
 4th Quarter October–December: Pay the yearly dues for next year and get the rest of this year free.

Family Membership Members:

2) Name: _____ Call Sign: _____ License Class: _____
 Address: _____ City: _____ Zip: _____
 Cell Phone: _____ Home Phone: _____
 Email: _____ Show contact info in Roster:
 ARRL Member:

3) Name: _____ Call Sign: _____ License Class: _____
 Address: _____ City: _____ Zip: _____
 Cell Phone: _____ Home Phone: _____
 Email: _____ Show contact info in Roster:
 ARRL Member:

4) Name: _____ Call Sign: _____ License Class: _____
 Address: _____ City: _____ Zip: _____
 Cell Phone: _____ Home Phone: _____
 Email: _____ Show contact info in Roster:
 ARRL Member:

I would like more information about:

- | | |
|--|---|
| <input type="checkbox"/> a) Public Service Events | <input type="checkbox"/> f) Training Classes |
| <input type="checkbox"/> b) Field Day (4 th Saturday in June) | <input type="checkbox"/> g) VE License Exams |
| <input type="checkbox"/> c) Contesting & DXing | <input type="checkbox"/> h) Field Trips |
| <input type="checkbox"/> d) Emergency Services | <input type="checkbox"/> i) Short Skip Newsletter |
| <input type="checkbox"/> e) SCRA Net Control | <input type="checkbox"/> j) SCRA Committees |
| <input type="checkbox"/> f) SCRA Loaner Radio Program | <input type="checkbox"/> k) Other _____ |

SCRA Dues: Individual \$20, Family \$30, Youth (under 18) \$15 (*see Pro-Rated Dues above)	\$ _____
Name Badge: \$10 each Please circle clasp type, either Clip or Magnet.	\$ _____
1) Call Sign: _____ First Name: _____ City: _____	Clip or Magnet
2) Call Sign: _____ First Name: _____ City: _____	Clip or Magnet
3) Call Sign: _____ First Name: _____ City: _____	Clip or Magnet
4) Call Sign: _____ First Name: _____ City: _____	Clip or Magnet
	SCRA Logo Patch: \$5 each \$ _____
	SCRA Logo Decal: \$2 each \$ _____
Please make check payable to SCRA.	Total Amount Due: \$ _____

HAM RADIO OUTLET

MULTI-STORE BUYING POWER!

ICOM



IC-9700
All Mode Tri-Band Transceiver



IC-7300
HF Transceiver



IC-7100
All Mode Transceiver



ID-5100A Deluxe
VHF/UHF Dual Band Digital Transceiver



IC-705
HF/50/144/430 MHz All Mode Transceiver

KENWOOD



TS-590SG
HF/50MHz Transceiver



TM-D710G
2M/440 Dualband



TM-V71A
2M/440 Dualband



TM-281A
2 Mtr Mobile



TH-D74A
2M/220/440 HT

YAESU
The radio



FT-991A
HF/VHF/UHF Transceiver



FT-891
HF+50 MHz All Mode Transceiver



FTM-300DR
C4FM/FM 144/430 MHz Dual Band



FTM-400XD
2M/440 Mobile



FT-70DR
C4FM/FM 144/430 Xcvr

5 Ways to Shop!

- RETAIL LOCATIONS – Store hours 10:00AM - 5:30PM - Closed Sunday
- PHONE – Toll-free phone hours 9:30AM - 5:30PM
- ONLINE – WWW.HAMRADIO.COM
- FAX – All store locations
- MAIL – All store locations

HRO is family owned and operated by active hams!

ANAHEIM, CA
(800) 854-6046
PLANO, TX
(877) 455-3750

OAKLAND, CA
(877) 892-1745
SAN DIEGO, CA
(877) 520-9623

PORTLAND, OR
(800) 765-4267
DENVER, CO
(800) 444-9476

PHOENIX, AZ
(800) 559-7388
ATLANTA, GA
(800) 444-7927

MILWAUKEE, WI
(800) 558-0411
NEW CASTLE, DE
(800) 644-4476

WOODBIDGE, VA
(800) 444-4799
SALEM, NH
(800) 444-0047

Shop Anytime From Anywhere
with Our Online Superstore
WWW.HAMRADIO.COM

Contact HRO for promotion details. Toll-free including Hawaii, Alaska and Canada. Call will be routed to the nearest store. All HRO 800-lines can assist you. If the first line you call is busy, you may call another. Prices, specifications and descriptions subject to change without notice.



SHORT SKIP ARCHIVES AVAILABLE

Mike, AD6YB, has set up archives for past and present issues of Short Skip. They are available on the Website under the tab, Our Club. Mike has scanned in the old paper issues and it is really interesting to browse through them to see what those guys were doing. There are historical photos as well. An important record of our history and ham radio in general. Good Stuff.

[\(Click Me\)](#)

DIDN'T FIND WHAT YOU NEEDED?

If you are looking for something more on a topic or your topic of interest hasn't been covered lately, let us know. Something you'd like to see in Short Skip?

Contact the editor, shortskippeditor@gmail.com or for general questions and /or suggestions, k6son@arrl.net

SHORT SKIP NEEDS YOUR INPUT

SHORT SKIP ARTICLES WANTED

Dave, KI6UGB, our Short Skip editor is always looking for articles of interest. They can be technical, a good (or bad) experience that other members may learn from, hints or kinks that worked for you in solving a problem, or just about anything ham radio related. Send your contributions to Dave at shortskippeditor@gmail.com

